

# Model 780

## Current Transformer Window Diameter 6.50"

### Application

Relaying and metering.

### Frequency

50-400 Hz.

### Insulation Level

0.6 kV, BIL 10 kV full wave.

### Continuous Thermal Current Rating Factor

50:5-1,200:5 & 2,000:5  
2.0 at 30 °C. amb., 1.5 at 55 °C. amb.

1,500:5-1600:5, 2,500:5-3,500:5  
1.5 at 30 °C. amb., 1.33 at 55 °C. amb.

4,000:5-5,000:5 1.0 at 30 °C. amb.,

6,000:5 0.8 30 °C. amb.

Secondary terminals are brass screws  
No.10-32 with one flatwasher,  
lockwasher and regular nut.

Approximate weight 30 lbs.  
Excitation data available upon request.



#### REGULATORY AGENCY APPROVALS



Manufactured to meet the requirements of ANSI/IEEE C57.13.  
Classified by U.L. in accordance with IEC 44-1

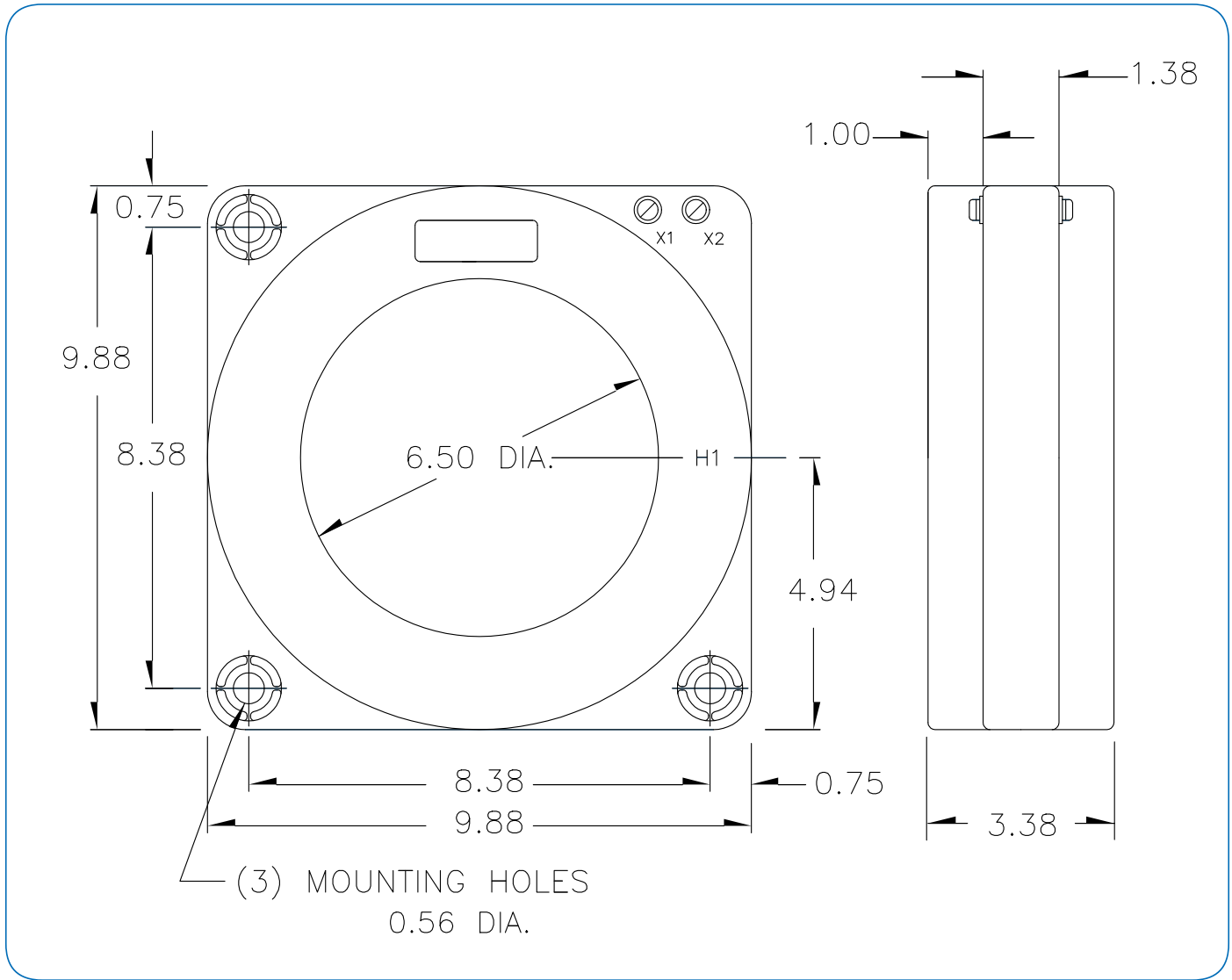
### Model 780

Catalog Number	Current Ratio	Relay Class	ANSI Metering Class at 60 Hz				
			B0.1	B0.2	B0.5	B0.9	B1.8
780-500	50:5	—	4.8	—	—	—	—
780-750	75:5	C10	4.8	4.8	—	—	—
780-101	100:5	C10	1.2	2.4	4.8	—	—
780-151	150:5*	C20	0.6	1.2	2.4	2.4	4.8
780-201	200:5*	C20	0.6	0.6	1.2	2.4	4.8
780-251	250:5*	C20	0.6	0.6	0.6	1.2	2.4
780-301	300:5*	C20	0.3	0.6	0.6	1.2	2.4
780-401	400:5*	C50	0.3	0.3	0.6	0.6	1.2
780-501	500:5*	C50	0.3	0.3	0.3	0.6	0.6
780-601	600:5*	C100	0.3	0.3	0.3	0.3	0.6
780-801	800:5*	C100	0.3	0.3	0.3	0.3	0.6
780-102	1,000:5*	C200	0.3	0.3	0.3	0.3	0.3
780-122	1,200:5*	C100	0.3	0.3	0.3	0.3	0.3
780-152	1,500:5*	C200	0.3	0.3	0.3	0.3	0.3
780-162	1,600:5*	C200	0.3	0.3	0.3	0.3	0.3
780-202	2,000:5*	C200	0.3	0.3	0.3	0.3	0.3
780-252	2,500:5*	C200	0.3	0.3	0.3	0.3	0.3
780-302	3,000:5*	C200	0.3	0.3	0.3	0.3	0.3
780-322	3,200:5*	C200	0.3	0.3	0.3	0.3	0.3
780-352	3,500:5*	C200	0.3	0.3	0.3	0.3	0.3
780-402	4,000:5*	C200	0.3	0.3	0.3	0.3	0.3
780-502	5,000:5	C200	0.3	0.3	0.3	0.3	0.3
780-602	6,000:5*	C200	0.3	0.3	0.3	0.3	0.3

(\*) Approved for revenue metering by Industry Canada No. AE-0656



# Model 780



ITL\_Model\_780- Specs-EN-2017-11-Grid-AIS-1363. © Copyright 2017. General Electric Company and Instrument Transformers LLC reserve the right to change specifications of described products at any time without notice and without obligation to notify any person of such changes.

